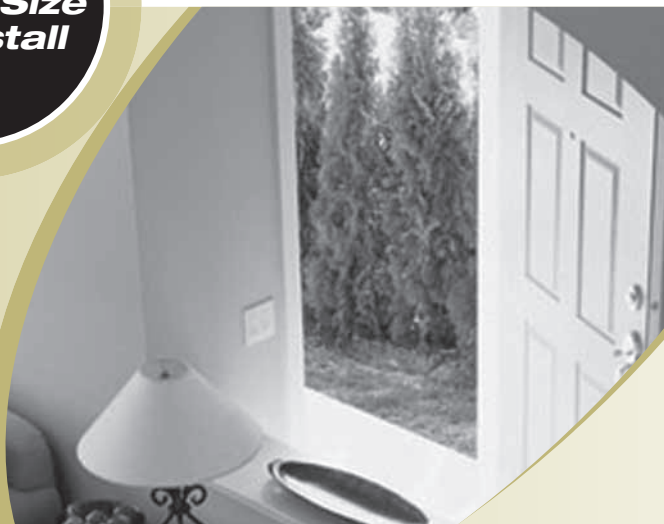


Installation Manual for
Vista SCREEN
RETRACTABLE

For left hinged doors

*Durable. Reliable. Attractive.
For door openings up to 36" (914mm) wide
and 81 3/16" (2,062mm) high*

Quick and
Easy to **Size**
and **Install**



Congratulations and thank you for purchasing a Seiki product!

The Vista Screen is designed and manufactured by Seiki Screen Systems, one of Japan's largest and most respected manufacturers. Thanks to rigorous design and product testing, the Vista Screen will provide years of dependable operation. Plus, it comes with a factory-supplied limited lifetime warranty on all parts against manufacturer's defects.

The Vista Screen was designed for easy sizing and installation. This Installation Manual provides a step by step guide through the entire process. **We also recommend visiting the Seiki Website at www.seikiscreensystems.com/na to view a short video of a typical installation.**



*Any questions? Contact
our Help Line, Toll Free
at 1-877-446-7180.*



Index

<i>Getting to Know the Vista Screen</i>	<i>4</i>
<i>Parts and Tool List</i>	<i>5</i>
<i>Choosing the Correct Bottom Rail</i>	<i>6</i>
<i>Measuring the Door Opening</i>	<i>7</i>
<i>Sizing the Vista Screen.....</i>	<i>8</i>
<i>Cutting the Top and Bottom Rail.....</i>	<i>9</i>
<i>Cutting the Screen Housing</i>	<i>10</i>
<i>Installing the Top Rail.....</i>	<i>11</i>
<i>Installing the Screen Housing</i>	<i>12</i>
<i>Installing the Bottom Rail.....</i>	<i>13</i>
<i>Final Steps</i>	<i>14</i>

For installations on double doors (French doors), one left Vista Screen and one right Vista Screen and one Double Door Link Kit will be required. Please refer to the Installation Manual within the “Double Door Link Kit” prior to installation.

The Vista Screen is not intended for installation on a Sliding Patio Door.

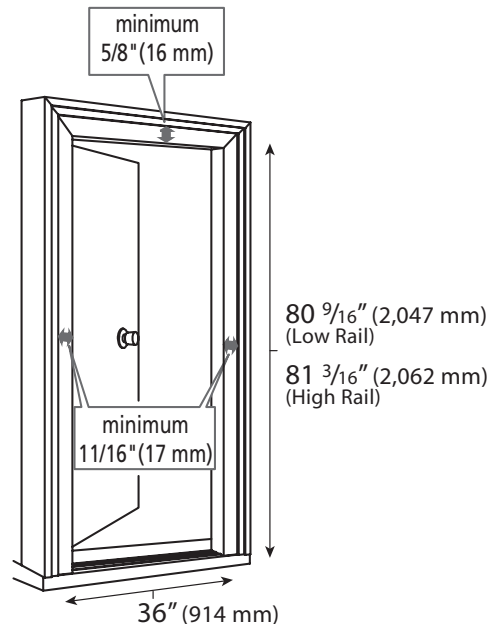
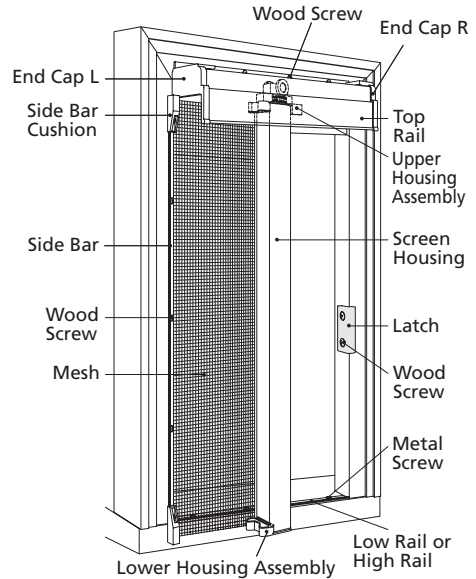
Getting to Know the *Vista Screen*

Before beginning the installation process, become familiar with the Vista Screen and the door on which it will be installed.

Make sure the right model has been purchased! The Vista Screen in this package is configured for a "LEFT" hinged door. To identify door hinging, look at the door from the outside of the house. The hinges should be on the left side and the door knob or handle should be on the right.

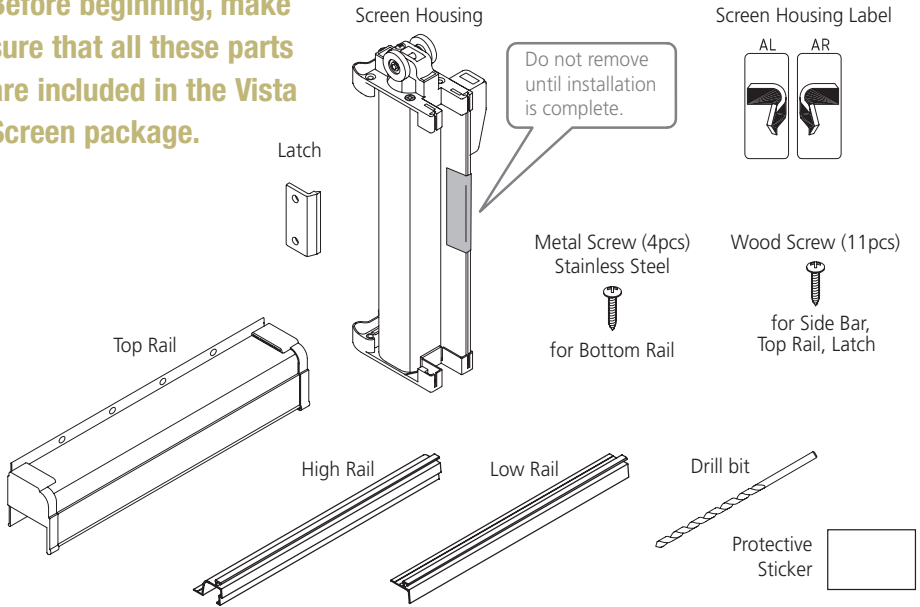
Next, make sure the Vista Screen will fit the door. The Vista Screen will accommodate a door opening of up to **36" (914 mm) wide** and **80 9/16" (2,047 mm) high** with the **Low Rail**, and **81 3/16" (2,062 mm) high** with the **High Rail**. If the door opening is larger than this, the Vista Screen will not accommodate the door.

Finally, the Vista Screen requires a **minimum mounting surface of 5/8" (16 mm) on top and 11/16" (17 mm) on both sides**. This mounting surface must be flat and flush.



Parts and Tool list

Before beginning, make sure that all these parts are included in the Vista Screen package.



Hack saw 32tpi *



Measuring tape



Side cutters

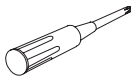


Vista Screens can be sized and installed using common household tools. Make sure all necessary tools are available before beginning.

Carpenter square



Philips screwdriver



Electric drill



***NOTE:** a chop saw can be used in place of a hacksaw provided that a bi-metal blade has been properly installed.

File



Pen



Level



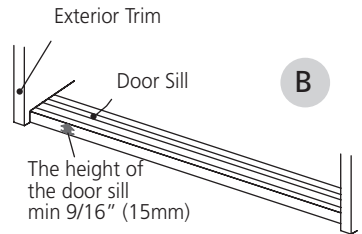
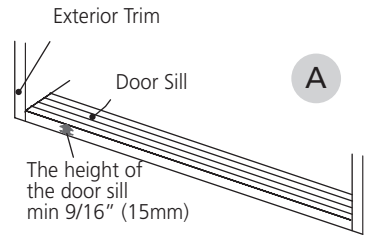
Choosing the Correct *Bottom Rail*

The Vista Screen package comes with a High and Low Bottom Rail to accommodate different configurations of doorsill and exterior trim or door frame. Choosing the correct Bottom Rail is very important, since this will determine the final cut size of the Vista Screen.

Low Rail

Use the Low Rail in the following circumstances:

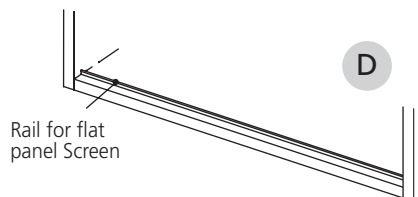
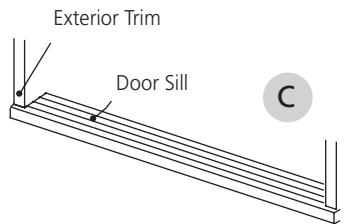
1. The front edge of the door sill is flush **(A)** with the exterior trim or door frame and there is a minimum of 9/16" (15 mm) clearance from the top of the sill and the deck below.
2. There is a minimum of 9/16" (15 mm) clearance, but the front edge of the door sill is recessed **(B)**. Use a shim or an aftermarket sill extension to extend the sill so it is flush with the exterior trim or door frame.



High Rail

Use the High Rail in the following circumstances:

1. The door sill is flush with the exterior trim or door frame **(A)**, but there is less than 9/16" (15 mm) clearance to the deck below.
2. The door sill extends beyond the exterior trim **(C)**.
3. The door sill has an existing track for a sliding screen **(D)**.



Measuring the Door *Opening*

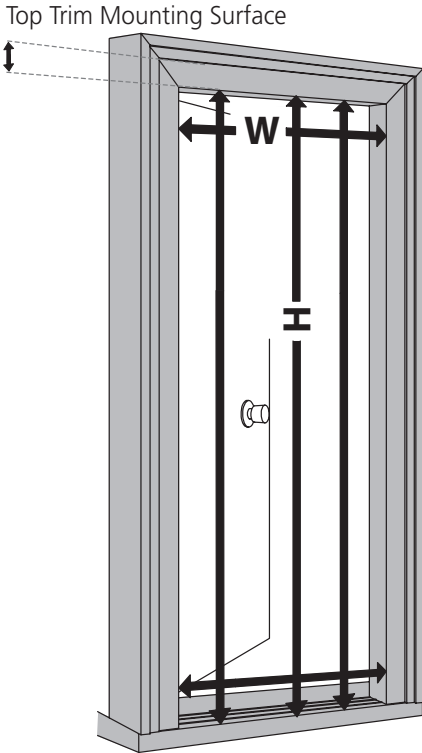
Now it's time to measure the opening to see if the Vista Screen must be cut to fit.

For the width, measure the dimension between the right and left exterior trim or door frame at both the top and bottom of the doorway as indicated in the diagram.

Record the smallest of the two sizes in the box labeled "Width" below.

For the height, measure inside dimension between the top exterior trim or door frame and the door sill at the lowest point in its slope. Measure in all three locations and record the smallest dimension in the box labeled "Height" below.

Finally, measure the height of the lowest flat portion of the **exterior trim or door frame** at the top of the door and record in the box labeled "Top Trim" below.



Width	Height	Top Trim

Sizing the *Vista Screen*

The Vista Screen is designed to accommodate door openings up to 36" (914 mm) wide and 80 9/16" (2,047 mm) high when using the Low Rail or 81 3/16" (2,062 mm) high when using the High Rail. If the door opening is smaller than this, the Vista Screen must be cut.

Determining Cut Size for Top and Bottom Rails

To determine the cut size of the Top and Bottom Rails, simply use the following formula:

(Measured Width)	[Length to be cut off]
36" (914mm) - []= [

Determining Cut Size for Screen Housing

Important: The cut size of the Screen Housing is different when using the High Rail versus the Low Rail.

Low Rail installations, use this formula:

(Measured Height)	[Length to be cut off]
80 9/16" (2047 mm) - []= [

High Rail installations, use this formula:

(Measured Height)	[Length to be cut off]
81 3/16" (2062 mm) - []= [

NOTE: If the "Length to be cut" is less than 7/16" (11 mm) for either High or Low Rail installations, the Screen Housing may not need to be cut.

If the dimension of the "Top Trim" recorded on Page 7 is a minimum of 1 1/16" (27 mm), simply adjust the mounting height of the Top Rail upward. If the exterior trim or door frame is less than this, the Screen Housing must be cut.

Determining Mounting Height of Top Rail

In all instances when the Screen Housing is cut, the Top Rail is mounted 5/8" (16 mm) above bottom edge of the exterior trim or door frame.

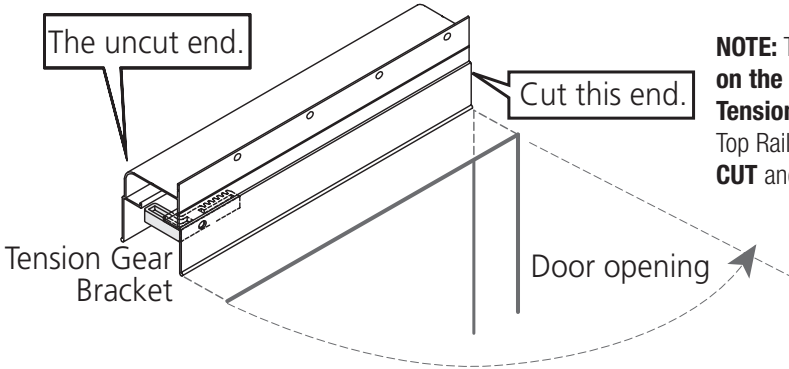
If the Screen Housing "Length to be cut" is 7/16" (11 mm) or less, and there is a minimum of 1 1/16" (27 mm) of Top Trim, use the following formula to determine the **Mounting Height of the Top Rail**.

(Length to be cut)	[Mounting Height]
5/8" (16 mm) + []= [

Refer to page 11 for Mounting Surface illustration.

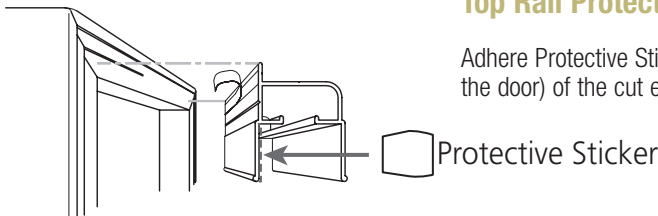
Cutting the Top and Bottom Rail

Cutting the Top Rail of the Vista Screen is an easy process.



NOTE: The Top Rail will be **cut on the end opposite the Tension Gear Bracket**. The Top Rail is clearly labeled with **CUT** and **NO CUT** zones.

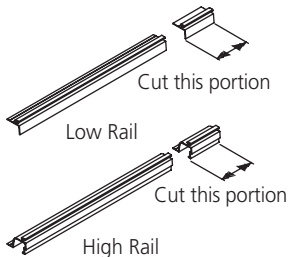
1. Remove the End Cap from the side of the Top Rail that will be cut.
2. Using the "Length to be cut" dimension calculated on Page 8, carefully measure and mark the rail on all sides to ensure an even cut.
3. Wearing safety glasses, cut straight through the Top Rail using either a chop saw or a hacksaw with a bi-metal blade.



Top Rail Protective Sticker

Adhere Protective Sticker to back edge (closest to the door) of the cut end of the Top Rail.

Cutting the Bottom Rail



Cutting the Bottom Rail is just as easy. The Bottom Rail is clearly labeled with CUT and NO CUT zones. Using the same "Length to be cut" dimension used for the Top Rail, measure and mark the rail, and cut straight through.

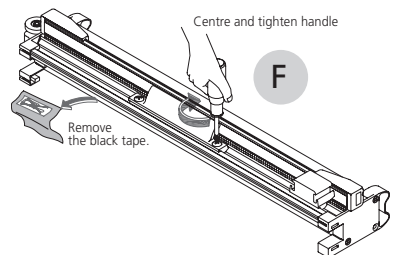
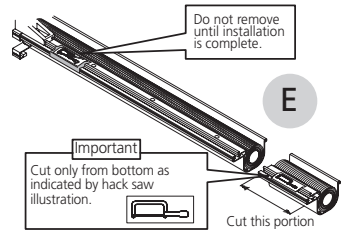
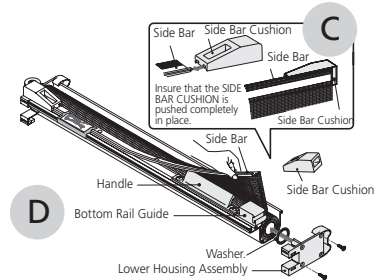
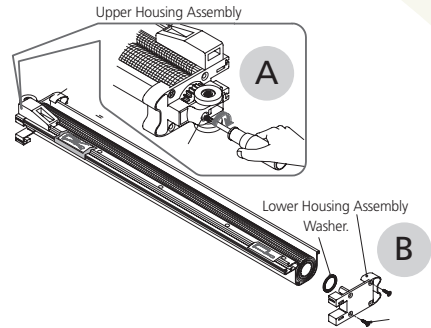
NOTE: After cutting any part of the Vista Screen, use a file to remove any burrs from the surfaces.

Cutting the *Screen Housing*

It is easy to cut right through the Screen Housing and fiberglass mesh of the Vista Screen using a chop saw or hacksaw.

NOTE: All cutting will be done on the lower end of the Screen Housing, away from the Upper Housing Assembly and spring mechanism. The Vista Screen is clearly labeled with CUT and NO CUT zones.

1. Begin by tightening the screw at the top of the Upper Housing Assembly **(A)**.
2. Remove the Lower Housing Assembly and washer by removing the two screws with a Philips screwdriver **(B)**.
3. Slide the Side Bar Cushion off of the Side Bar **(C)**.
4. Slide the Bottom Rail Guide off the Screen Housing **(D)**.
5. Carefully measure and mark the Screen Housing on all sides based on the "Length to be cut" dimension calculated on Page 8.
6. Wearing safety glasses, cut straight through the Screen Housing and the fiberglass mesh **(E)**.
7. Before reattaching the Lower Housing Assembly, replace the Side Bar Cushion onto the Side Bar **(C)**. Make sure that it is pushed in as far as it will go.
Next, slide the Bottom Rail Guide back onto the Screen Housing **(D)**.
8. Reattach the Lower Housing Assembly and washer using the two screws **(B)**.
9. Loosen the screw at the top of the Upper Housing Assembly until the head of the screw is slightly above the top **(A)**.
10. Finally, remove the black tape, slide the Handle to the centre of the Screen Housing and tighten the screws **(F)**.



Installing the *Top Rail*

Now it's time to determine the height at which the Top Rail should be mounted.

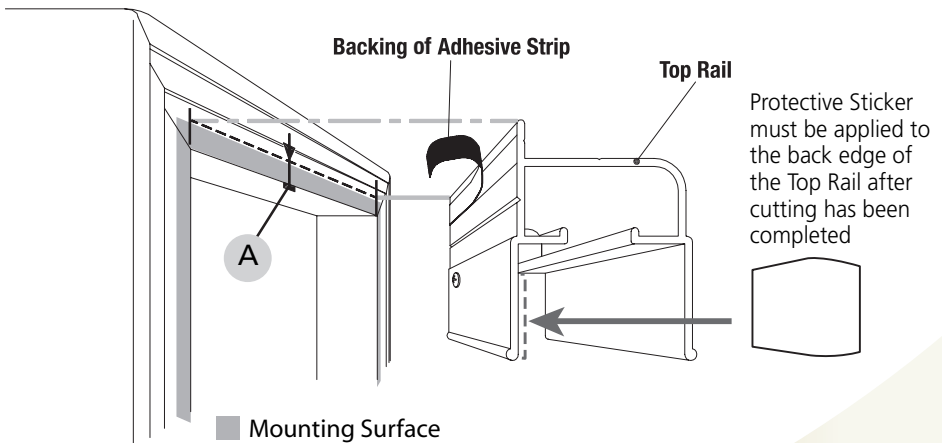
If the Screen Housing Was Cut:

If the Vista Screen Housing was cut to fit the door, the top of the Top Rail will be mounted exactly 5/8" (16 mm) (A) from the bottom edge of the exterior trim or door frame.

1. Draw a line 5/8" (16 mm) from the bottom edge of the exterior trim or door frame as a guide.
2. Remove the backing on the adhesive strip and position the Top Rail along the guide line.
3. Secure the Top Rail using the Wood Screws provided.

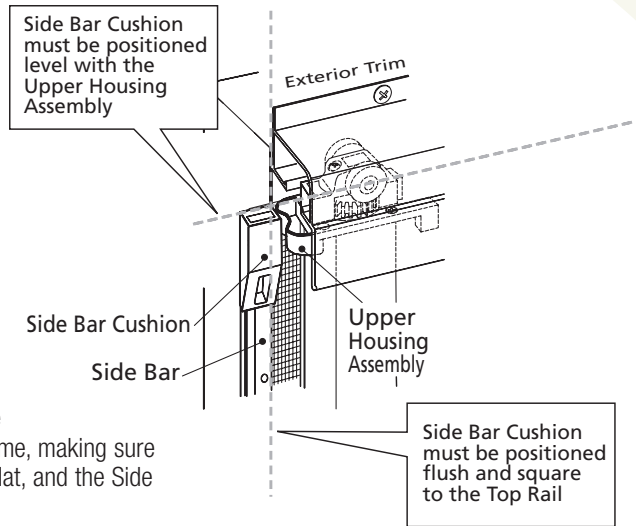
If the Screen Housing Was Not Cut

1. Using the measurement calculated for Mounting Height on Page 8 (A), measure up from the bottom of the exterior trim or door frame, and draw a line as a guide.
2. Remove the backing on the adhesive strip and position the Top Rail along the guide line.
3. Secure the Top Rail using the Wood Screws provided.

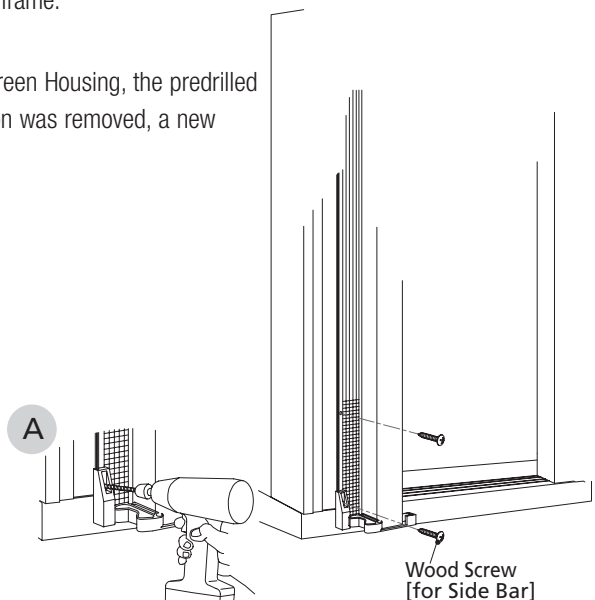


Installing the *Screen Housing*

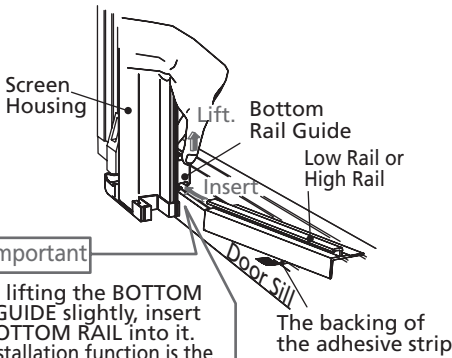
1. Remove the End Cap from the left side of the Top Rail.
2. Insert the rollers of the Screen Housing into the Top Rail.
3. Next, peel the backing off the adhesive strip along the back of the Side Bar.
4. Making sure the top of the Side Bar Cushion is level with the Upper Housing Assembly, fasten the Side Bar Cushion to the exterior trim or door frame using a Wood Screw.
5. Press the Side Bar firmly in place along the exterior trim or door frame, making sure that the fiberglass mesh is kept flat, and the Side Bar is square to the Top Rail.
6. Using the provided Wood Screws, secure the Side Bar to the exterior trim or door frame.



NOTE: If during the sizing of the Screen Housing, the predrilled hole for the Bottom Side Bar Cushion was removed, a new hole must be drilled **(A)**.



Installing the *Bottom Rail*



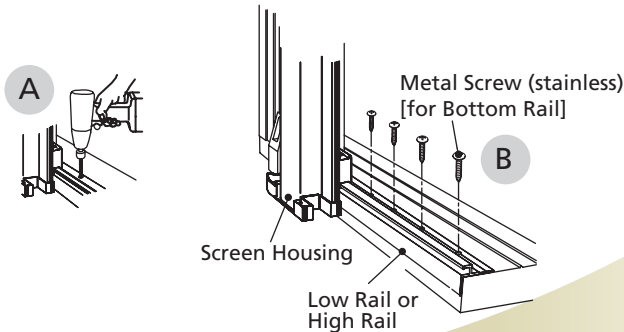
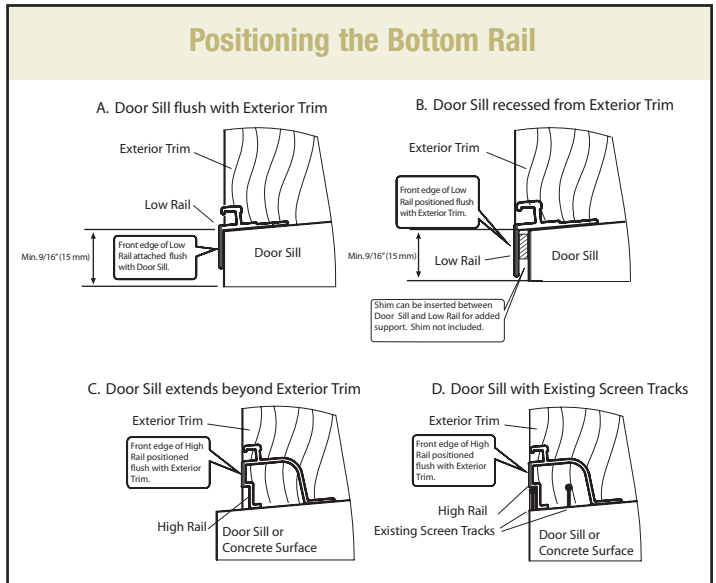
Important

While lifting the **BOTTOM RAIL GUIDE** slightly, insert the **BOTTOM RAIL** into it. The installation function is the same for either **LOW & HIGH RAIL**.

1. Remove the adhesive backing from the Bottom Rail.
2. While slightly lifting the Bottom Rail Guide on the Screen Housing, insert the Bottom Rail.
3. Press the Bottom Rail firmly in place, ensuring the front of the rail is flush with the exterior trim or door frame. This requirement is the same whether using the Low or High Rail. Rail must be placed tight to right side of door frame to ensure that there is a 1/4" (6mm) gap between the left side of the Bottom Rail and the left door frame.

Positioning the Bottom Rail

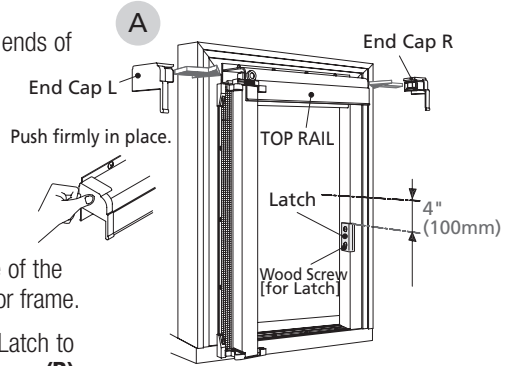
4. As a guide, use the predrilled holes in the Bottom Rail to drill holes through the door sill with drill bit provided. **(A)**
5. Fasten the Bottom Rail to the door sill using the Metal Screws provided. **(B)**



Final Steps

Install the End Caps

1. Locate the two End Caps removed from the Top Rail during earlier installation steps.
2. Press the End Caps firmly into place on both ends of the Top Rail. **(A)**



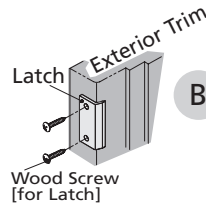
Install the Latch

1. Locate a point 4" (100 mm) below the centre of the door opening on the right exterior trim or door frame.
2. Using the Wood Screws provided, fasten the Latch to the inner edge of the exterior trim or door frame. **(B)**

The LATCH should be fixed to the inside corner of the exterior trim.

Apply Screen Housing Label

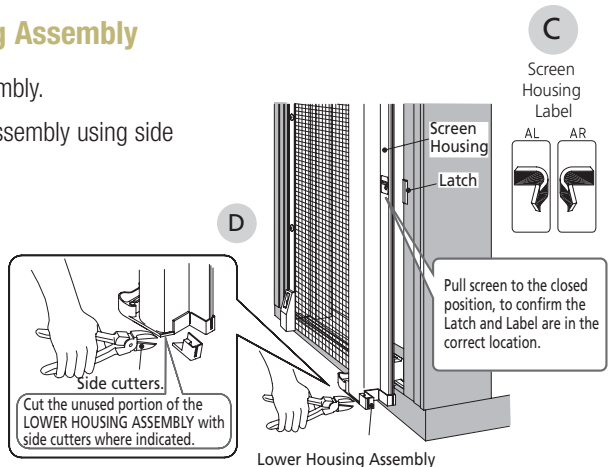
Adhere the "AL" Label to the Screen Housing at the same height as the Latch. **(C)**



Clean up the Lower Housing Assembly

1. Locate the Lower Housing Assembly.
2. Cut the unused portion of the assembly using side cutters as indicated. **(D)**

The Vista Screen Installation is Now Complete!



The Vista Screen was designed for easy sizing and installation. This installation Manual provides a step by step guide through the entire process.

If there are any questions during the installation of the Vista Screen, we recommend visiting the Seiki Website at www.seikiscreensystems.com/na .



Seiki provides a number of online manuals on:

- **Product Information**
- **Vista Screen Installation**
- **Resetting the Vista Screen Spring**
- **Identifying Common Installation Procedures**

Plus, Seiki provides online How To Videos on the following topics:

- **Vista Screen Installation**
- **Right Hinged Application**
- **Re-setting the Spring**
- **Sill and Exterior Trim Assessment**
- **Converting the Vista Screen for Right Hinged Doors**

Still Have Questions?

Call the Toll Free Seiki Do it Yourself Hotline:

1-877-446-7180



Vista Screen

Limited Lifetime/Non-transferable Manufacturers Warranty

The Vista Screen is warranted by Seiki Screen Systems to be free of manufacturers' defects in materials or workmanship, for as long as the original purchaser owns and or resides at that residence and that the product remains at its original point of installation. Seiki Screen Systems will repair or replace at its discretion any component, within the terms and conditions of this warranty, which is deemed as being defective from the manufacturing process upon proof of purchase. This warranty excludes the fiberglass screen mesh. Furthermore this warranty does not cover components damaged through improper use or installation, or if components have been altered from their original state in a manner not otherwise prescribed in this manual. This warranty is strictly limited to defective components only. This non-transferable, limited warranty excludes labor, breakage or damage due to normal wear and tear, lack of maintenance, or use for other than residential applications, accidents and "acts of god". Replacements or repairs made subject to this limited warranty are otherwise warranted for the balance of the original warranty period. Seiki Screen System's liability under this limited warranty is restricted to the corrective actions as set forth herein and contrarily repudiates all incidental and consequential damage. It is the responsibility of the consumer to notify Seiki Screen Systems of missing components, within 30 days of the purchase of the Vista Screen.

The Vista Screen is designed to assist in keeping unwanted insects from the home; it is in no way intended as a safety or security device to prevent access by individuals, animals or small children. Liability for any damages, including but not limited to general, special, indirect, incidental, consequential, aggravated, punitive or exemplary damages, and economic loss, as well as for breach of any expressed or implied warranties, including but not limited to implied warranties of merchantability, quality and fitness for any purpose other than as prescribed herein, is disavowed and omitted here from, to the extent that such a disclaimer and preclusions are permitted by the laws of any particular jurisdiction.

Maintenance: Keep Bottom Rail clean and free of debris. Periodic use of silicone spray on the rollers of the Upper Housing Assembly and the Bottom Rail guide is recommended; *do not use petroleum-based lubricants.*

Vista Screen
Manufactured by
Seiki Screen Systems
INSTALLATION INSTRUCTION MANUAL
For warranty claims
Call 1-877-446-7180
Or email: info@seikiscreensystems.com

For maintenance and helpful hints, please refer to our web site,
www.seikiscreensystems.com/na