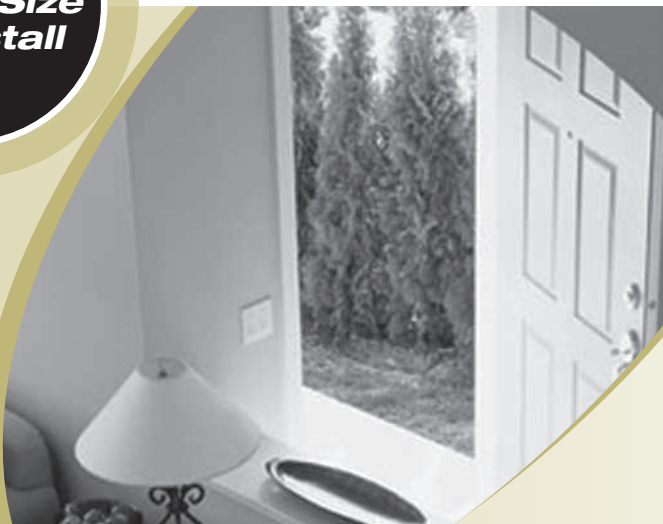


Installation Manual for
Vista PLUS SCREEN
RETRACTABLE™

For left hinged doors

*Durable. Reliable. Attractive.
For door openings up to 36" (914 mm) wide
and 81 1/4" (2,064 mm) high*

Quick and
Easy to Size
and **Install**



Congratulations and thank you for buying a SEIKI product!

The Vista Plus Screen is designed and manufactured by Seiki Screen Systems, one of Japan's largest and most respected manufacturers. Thanks to rigorous design and product testing, the Vista Plus Screen will provide years of dependable operation. Plus, it comes with a factory-supplied limited lifetime warranty on all parts against manufacturer's defects.

The Vista Plus Screen was designed for easy sizing and installation. This Installation Manual provides a step by step guide through the entire process. **We also recommend visiting the Seiki Website at www.seikiscreensystems.com/na.**



*Any questions? Contact
our Help Line, Toll Free
at 1-877-446-7180.*



Index

<i>Getting to Know the Vista Plus Screen.....</i>	<i>4</i>
<i>Parts and Tool List</i>	<i>5</i>
<i>Measuring the Door Opening.....</i>	<i>6</i>
<i>Sizing the Vista Plus Screen.....</i>	<i>7</i>
<i>Cutting the Top/Bottom Rail and Catch Frame ...</i>	<i>8</i>
<i>Cutting the Screen Housing</i>	<i>9</i>
<i>Installing the Screen Housing</i>	<i>10</i>
<i>Installing the Top Rail.....</i>	<i>11</i>
<i>Installing the Bottom Rail.....</i>	<i>12</i>
<i>Final Steps.....</i>	<i>13</i>

For installations on double doors (French doors), one left Vista Plus Screen and one right Vista Plus Screen and one Double Door Link Kit will be required. Please refer to the Installation Manual within the “Double Door Link Kit” prior to installation.

The Vista Plus Screen is not intended for installation on a Sliding Patio Door.

Getting to Know the *Vista Plus Screen*

Before beginning the installation process, become familiar with the Vista Plus Screen and the door on which it will be installed.

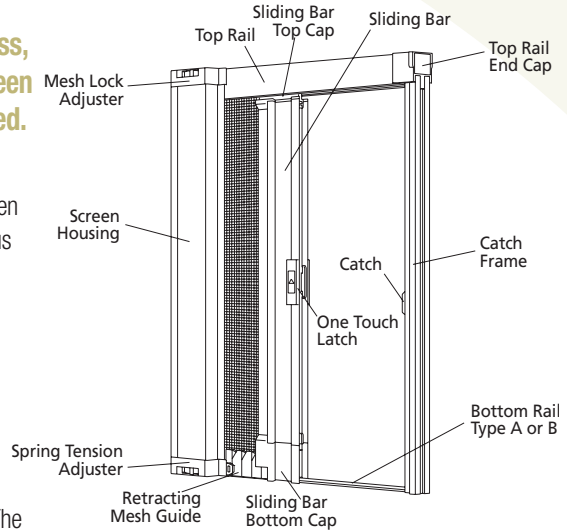
The Vista Plus Screen can be installed on both in-swing and out-swing doors. In-swing doors open to the inside of the home and require the Vista Plus Screen to be installed on the outside of the home. Out-swing doors open to the outside of the home and require the Vista Plus Screen to be installed on the inside of the home.

Does the Vista Plus Screen fit the Door Opening?

Make sure the Vista Plus Screen will fit the door. The Vista Plus Screen will accommodate a door opening of up to 36" (914 mm) wide and 81 1/4" (2,064 mm) high. If the door opening is larger than this, the Vista Plus Screen can still be installed by attaching a filler strip under the door frame to reduce the height of the door opening. Refer to page 6 for details.

Is there enough Mounting Surface for the Vista Plus Screen?

The Vista Plus Screen is a recess mount screen which installs on the inside surface of the door frame (Mounting Surface as indicated in diagram **A**). To ensure that the Vista Plus Screen is fully recessed after installation, there must be at least 1 5/8" (42 mm) of mounting surface. However the Vista Plus Screen can accommodate a minimum mounting surface of 1 1/8" (28 mm). In this instance, the Mounting Bracket of the Vista Plus Screen will extend slightly beyond the door frame. This mounting surface must be flat and flush, and at a right angle (90°) to the door.

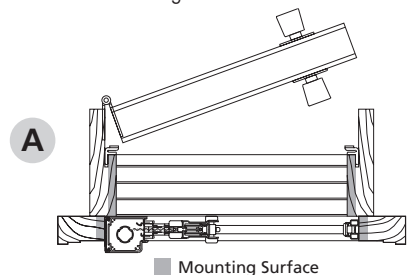


Is the Door Opening Square?

For the Vista Plus Screen to operate effectively, the door opening must be perfectly square. Using a Carpenter Square, check to ensure that the door frame is square. If not, use shims to bring the door frame to square before beginning installation.

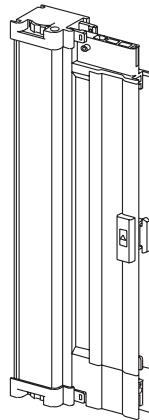
Is this Vista Plus Screen being installed on a Left Hinged Door?

Finally, make sure the right model has been purchased! The Vista Plus Screen in this package is configured for a "LEFT" hinged door. To identify door hinging, look at the door from the side on which the Vista Plus Screen will be mounted. The hinges should be on the left side and the door knob or handle should be on the right.



Parts and Tool list

Before beginning, make sure that all these parts are included in the Vista Plus Screen package.



Screen Housing Assembly



Mounting Bracket



Catch Frame



Stickers, 2pcs. for Latch



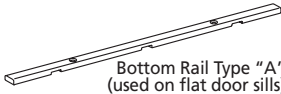
5/8" (16 mm) Pan Head Screws, 10pcs. for Mounting Bracket and Catch Frame



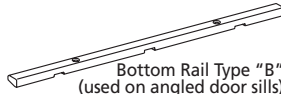
1-1/4" (32 mm) Wood Screws, 3pcs. for Top Rail



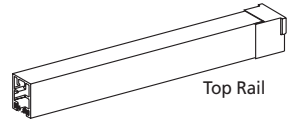
5/8" (16 mm) Self Tapping Screws, 2pcs. for Bottom Rail



Bottom Rail Type "A" (used on flat door sills)



Bottom Rail Type "B" (used on angled door sills)



Top Rail

Hack saw
32tpi *



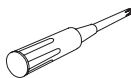
Measuring tape



Carpenter square



Philips screwdriver



Electric drill



Vista Plus Screens can be sized and installed using common household tools. Make sure all necessary tools are available before beginning.

***NOTE:** a chop saw can be used in place of a hacksaw provided that a bi-metal blade has been properly installed.

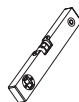
File



Pen



Level

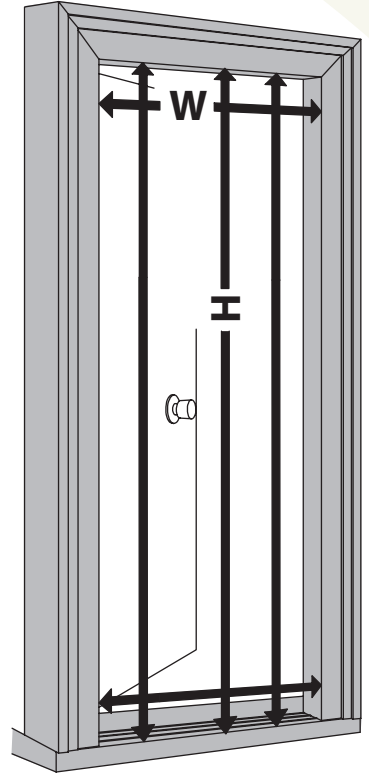


Measuring the *Door Opening*

Now it's time to measure the door opening. The Vista Plus Screen will accommodate a door opening of up to 36" (914 mm) wide and 81 1/4" (2,064 mm) high. If the door opening is smaller than this, the Vista Plus Screen will have to be cut.

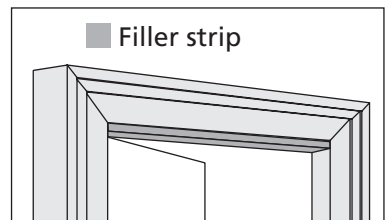
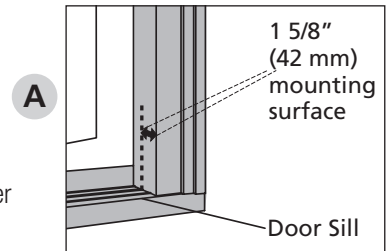
For the width, measure the dimension between the right and left sides of the door frame at both the top and bottom of the doorway as indicated in the diagram. Record the smallest of the two sizes in the box labeled "Width" below.

For the height, measure dimension between the top of the door frame and the door sill at the point where the Vista Plus Screen will be installed. Seiki recommends positioning the Vista Plus Screen flush with the outside edge of the door frame (the furthest point away from the door.) Measure from the top of the door frame to the door sill at a point 1 5/8" (42 mm) back from the outside edge of the door frame. **(A)** Measure in all three locations and record the smallest dimension in the box labeled "Height" below.



Width	Height

NOTE: If the door opening is too high, a filler strip must be installed before the Vista Plus Screen can be installed. The filler strip must reduce the door opening to 81 1/4" (2,064 mm) or less. All measurements must be made after the filler strip has been installed.



Sizing the *Vista Plus Screen*

If the door opening is smaller than 36" (914 mm) wide and 81 1/4" (2,064 mm) high, the Vista Plus Screen must be cut.

Determining Length to be Cut from Top and Bottom Rails

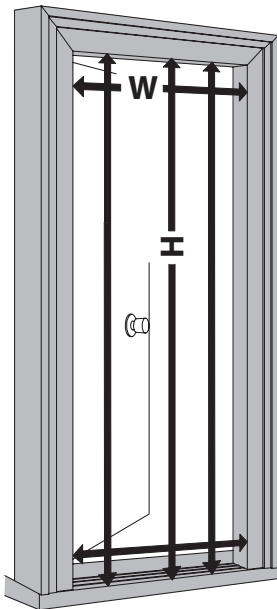
To determine the length to be cut from the Top and Bottom Rails, use the following formula:

	(Measured Width)		[Length to be cut off]
36" (914 mm)	- []	= <input type="text"/>

Determining Length to be Cut from Screen Housing Assembly and Catch Frame

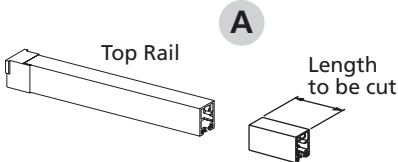
To determine the length to be cut from the Screen Housing and Catch Frame, use the following formula:

	(Measured Height)		[Length to be cut off]
81 1/4" (2064 mm)	- []	= <input type="text"/>



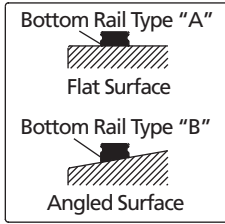
Cutting the Top and Bottom Rail and Catch Frame

Cutting the Top Rail of the Vista Plus Screen is an easy process.

1. Using the “Length to be cut” dimension calculated on Page 7, carefully measure the Top Rail on the end opposite the end cap. Mark on all sides to ensure an even cut. 
2. Wearing safety glasses, cut straight through the Top Rail using either a chop saw or a hacksaw with a bi-metal blade. **(A)**

Choosing and Cutting the Bottom Rail

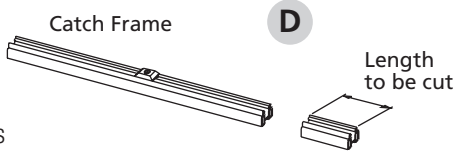
Before cutting, it is important to select the correct Bottom Rail for installation. The Vista Plus Screen package comes with two Bottom Rails to accommodate both flat and angled door sills. Please refer to **(B)** to determine the correct Bottom Rail.

1. Using the same “Length to be cut” dimension used for the Top Rail, measure and mark the appropriate Bottom Rail on all sides to ensure an even cut. The Bottom Rail can be cut on either side. 
2. Cut straight through the Bottom Rail. **(C)**

Choose the correct Bottom Rail for either flat or angled door sills.

Cutting the Catch Frame

Either end of the Catch Frame can be cut. 

1. Using the Screen Housing Assembly and Catch Frame “Length to be Cut” dimension calculated on Page 7, carefully measure and mark the Catch Frame on all sides to ensure an even cut. 
2. Cut straight through the Catch Frame. **(D)**

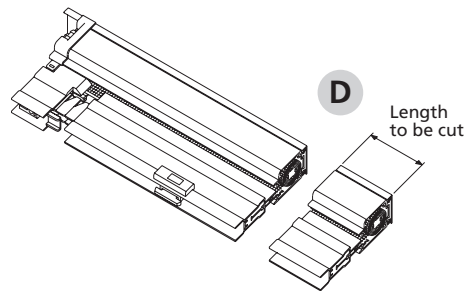
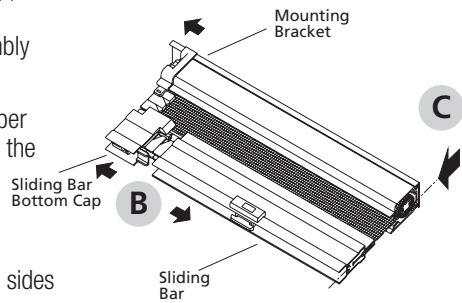
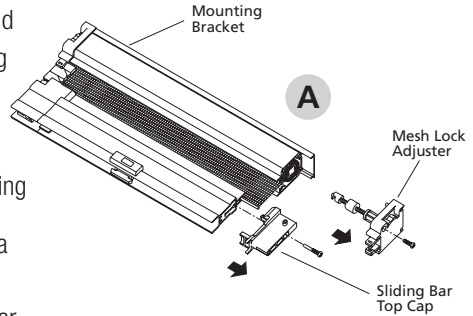
NOTE: It is important to wear safety glasses at all times when cutting components of the Vista Plus Screen. After cutting any part of the Vista Plus Screen, use a file to remove any burrs from the cut surfaces.

Cutting the Screen Housing Assembly

It is easy to cut right through the Screen Housing Assembly of the Vista Plus Screen using a chop saw or hacksaw.

NOTE: All cutting will be done on the upper end of the Screen Housing Assembly. The Mounting Bracket on the Screen Housing Assembly is clearly labeled with CUT and NO CUT zones.

1. Remove the Mesh Lock Adjuster and Sliding Bar Top Cap from the Screen Housing Assembly by removing their screws with a Phillips screwdriver. **(A)**
2. Detach the Sliding Bar from the Sliding Bar Bottom Cap, and slide it towards the upper end of the Screen Housing Assembly until it is aligned with top of the Assembly and the mesh. **(B)**
3. Slide the Mounting Bracket until its upper edge is aligned with the upper edge of the Screen Housing Assembly. **(C)**
4. With all components aligned, carefully measure and mark the Screen Housing, Sliding Bar and Mounting Bracket on all sides based on the "Length to be cut" dimension calculated on Page 7. **(D)**
5. Wearing safety glasses, cut straight through all components of the assembly. Use a file to remove any burrs from the cut surfaces.
6. Re-attach the Sliding Bar onto the Sliding Bar Bottom Cap. **(B)** Make sure that it is pushed in as far as it will go.
7. Re-attach the Mesh Lock Adjuster and Sliding Bar Top Cap to the Screen Housing Assembly and replace the screws. **(A)**
8. Slide the Mounting Bracket completely off the Screen Housing and set aside.



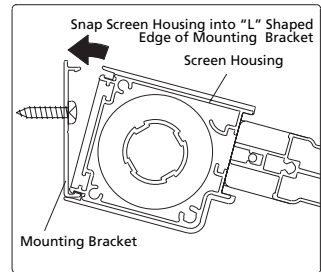
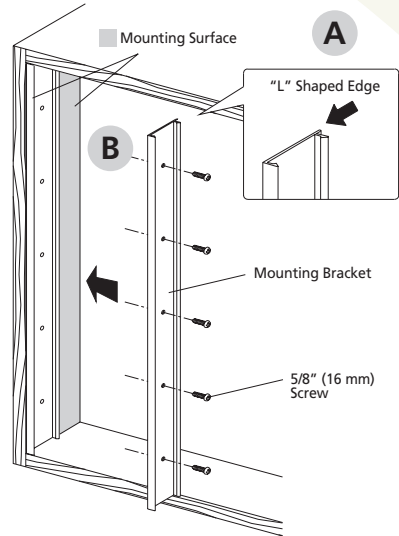
Installing the Mounting Bracket and Screen Housing Assembly

Securing the Mounting Bracket

The Mounting Bracket of the Vista Plus Screen is installed on the left inside surface of the door frame. The ideal minimum dimension of this surface is 1 5/8" (42 mm). This surface must be perfectly flat and at a right angle (90°) to the door.

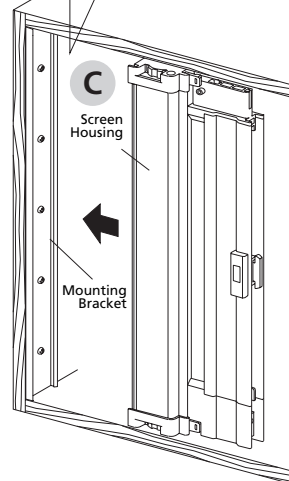
If the mounting surface is greater than 1 5/8" (42 mm), the Mounting Bracket can be positioned anywhere on this surface. Seiki recommends positioning the Mounting Bracket flush with the edge of the door frame (the furthest point away from the door.)

1. Locate the "L" shaped edge of the Mounting Bracket. **(A)** The Mounting Bracket will be positioned with this edge closest to the door.
2. Remove the adhesive strip on the back of the Mounting Bracket and position on the mounting surface. **(B)**
3. Using a level, adjust the Mounting Bracket to ensure that it is positioned plumb.
4. Attach the Mounting Bracket to the door frame using the 5/8" (16 mm) Pan Head Screws provided.



Attaching the Screen Housing Assembly

1. Place the front left corner of the Screen Housing Assembly in the outside edge of the Mounting Bracket. **(C)**
2. Pivot the Screen Housing along this point until the back of the Assembly snaps into the "L" shaped edge on the back of the Mounting Bracket.

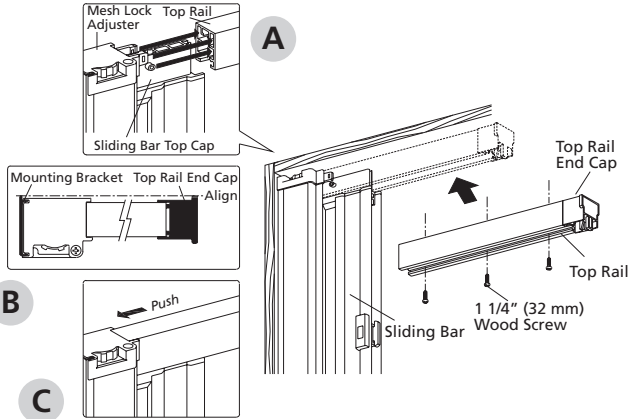


Installing the *Top Rail* and *Catch Frame*

Installing the Top Rail:

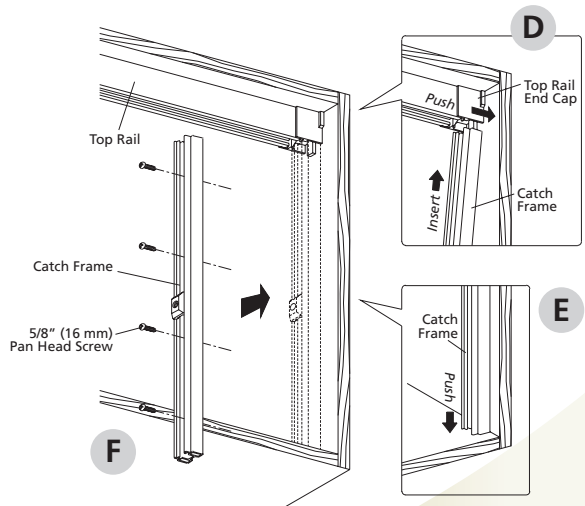
1. Remove the backing on the adhesive strip on the Top Rail.
2. Place the uncapped end of the Top Rail over the Sliding Bar Top Cap and slide the Top Rail into the Mesh Lock Adjuster. Ensure that it fits tightly. **(A)**

3. Align the Top Rail so that the edge of the Top Rail End Cap closest to the door is in a straight line to the "L" shaped edge of the Mounting Bracket. This line should be at a 90° angle to the mounting surface on which the Mounting Bracket was attached. **(B)** Once aligned, press the Top Rail firmly into place **(C)** and secure with the 1 1/4" (32 mm) Wood Screws provided.



Installing the Catch Frame:

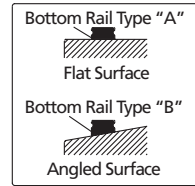
1. Insert the Catch Frame into the bottom of the Top Rail End Cap. Ensure that the Top Rail End Cap fits tight to the right side of the door frame. **(D)**
2. Using a level, adjust the Catch Frame along the mounting surface of the door frame to ensure that it is positioned plumb. It is important that the bottom of the Catch Frame fits tight to the door sill. **(E)**
3. Attach the Catch Frame to the door frame using the 5/8" (16 mm) Pan Head Screws provided. **(F)**



Installing the **Bottom Rail** and adjusting the Catch

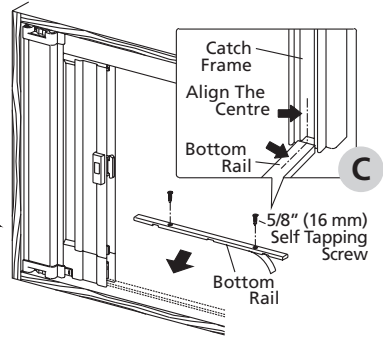
If the Bottom Rail did not require cutting, it is important to select the correct Bottom Rail for installation. The Vista Plus Screen package comes with two Bottom Rails to accommodate both flat and angled door sills. Please refer to **(A)** to determine the correct Bottom Rail.

1. Remove the backing on the adhesive strip on the Bottom Rail.
2. While slightly lifting the Sliding Bar, insert one end of the Bottom Rail into the groove at the bottom of the Sliding Bar Bottom Cap. **(B)**



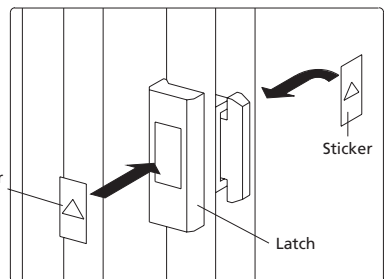
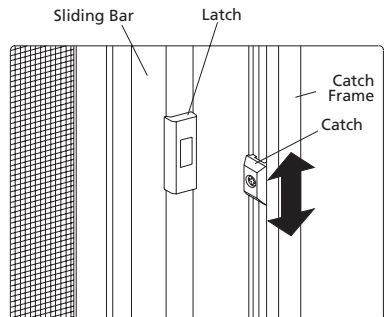
NOTE: If using the Angled Bottom Rail, ensure that it is oriented so that the top of the Bottom Rail is flat and level when placed on the door sill.

3. Position the other end so that the center of the Catch Frame aligns with the center of the Bottom Rail. **(C)** When aligned, press the Bottom Rail firmly onto the door sill.
4. Fasten the Bottom Rail to the door sill using the 5/8" (16 mm) Self-Tapping Screws provided. It is not necessary to pre-drill the surface below.



Adjusting the Catch

1. Loosen the screw on the Catch.
2. Move the Catch up and down, until the position where the Latch makes a secure contact with the Catch is determined. Tighten the screw on the Catch to secure it in place. **(D)**
3. Adhere the Stickers to the front and rear of the Latch as indicated. **(E)**

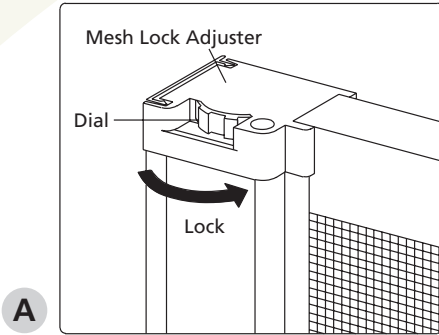


Final Adjustments

Adjusting the Mesh

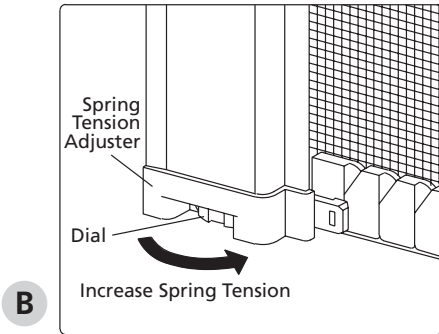
The Vista Plus Screen can be adjusted to reduce the amount of mesh discharged from the Screen Housing. This keeps the mesh tight to maintain the Vista Plus Screen's effectiveness in keeping out unwanted insects.

1. Close the Vista Plus Screen.
2. Turn the dial on the Mesh Lock Adjuster as indicated in illustration **(A)** until meeting with resistance, but without over-tightening.



Adjusting Spring Tension

1. If the Vista Plus Screen does not retract fully or quickly enough, turn the dial on the Spring Tension Adjuster, as indicated in illustration **(B)**, to increase spring tension.
2. If the Vista Plus Screen retracts too quickly, turn the dial on the Spring Tension Adjuster in the opposite direction to reduce spring tension.



*The Vista Plus Screen Installation
is Now Complete!*

Service and Maintenance *Hints*

The Vista Plus Screen is designed and engineered to be maintenance free. The following are some helpful hints to ensure the smooth operation of the Vista Plus Screen for years to come.

- All moving components used in the Vista Plus Screen are manufactured from a mixture of nylon and other materials. This combination of compounds is strong, impact resistant, and self-lubricating. Do not use oil, grease, or oil based sprays or lubricants on any of the components on the Vista Plus Screen. These products attract dirt and debris, and may cause the Vista Plus Screen to react abnormally. However, the periodic application of a dry silicon lubricant to the moving parts is permissible.
- We recommend that while not in use, the Vista Plus Screen be kept in the retracted position. This will help extend the life of the screen mesh. In the retracted position, the mesh is protected and kept clean.
- The Bottom Rail should be kept free of dirt and debris. Use a broom to remove any obstructions from the Bottom Rail.
- If the screen mesh becomes damaged or torn, a Replacement Mesh Cartridge can be purchased separately through your local dealer or retailer.

*** Before installing the Vista Plus Screen, please take the time to read the installation instructions thoroughly.**

The Vista Plus Screen was designed for easy sizing and installation. This installation Manual provides a step by step guide through the entire process.

If there are any questions during the installation of the Vista Plus Screen, we recommend visiting the Seiki Website at www.seikiscreensystems.com/na .



Seiki provides a number of online manuals on:

- **Product Information**
- **Vista Plus Screen Installation Manual**

Still Have Questions?

*Call the Toll Free Seiki Do it Yourself Hotline:
1-877-446-7180*



Vista Plus Screen

Limited Lifetime/Non-transferable

Manufacturers Warranty

The Vista Plus Screen is warranted by Seiki Screen Systems to be free of manufacturers' defects in materials or workmanship, for as long as the original purchaser owns and/or resides at that residence and that the product remains at its original point of installation. Seiki Screen Systems will repair or replace at its discretion any component, within the terms and conditions of this warranty, which is deemed as being defective from the manufacturing process upon proof of purchase. This warranty excludes the fiberglass screen mesh. Furthermore this warranty does not cover components damaged through improper use or installation, or if components have been altered from their original state in a manner not otherwise prescribed in this manual. This warranty is strictly limited to defective components only. This non-transferable, limited warranty excludes labor, breakage or damage due to normal wear and tear, lack of maintenance, or use for other than residential applications, accidents and "acts of god". Replacements or repairs made subject to this limited warranty are otherwise warranted for the balance of the original warranty period. Seiki Screen System's liability under this limited warranty is restricted to the corrective actions as set forth herein and contrarily repudiates all incidental and consequential damage. It is the responsibility of the consumer to notify Seiki Screen Systems of missing components, within 30 days of the purchase of the Vista Plus Screen.

The Vista Plus Screen is designed to assist in keeping unwanted insects from the home; it is in no way intended as a safety or security device to prevent access by individuals, animals or small children. Liability for any damages, including but not limited to general, special, indirect, incidental, consequential, aggravated, punitive or exemplary damages, and economic loss, as well as for breach of any expressed or implied warranties, including but not limited to implied warranties of merchantability, quality and fitness for any purpose other than as prescribed herein, is disavowed and omitted here from, to the extent that such a disclaimer and preclusions are permitted by the laws of any particular jurisdiction.

Maintenance: Keep Bottom Rail clean and free of debris. Periodic use of silicone spray onto the inside of the Top Rail, the Bottom Rail and the Retracting Mesh Guide is recommended; do not use petroleum-based lubricants.

Vista Plus Screen
Manufactured by
Seiki Screen Systems
PRODUCT INFORMATION MANUAL
For warranty claims
Call 1-877-446-7180
Or email: info@seikiscreensystems.com

For maintenance and helpful hints, please refer to our web site,
www.seikiscreensystems.com/na